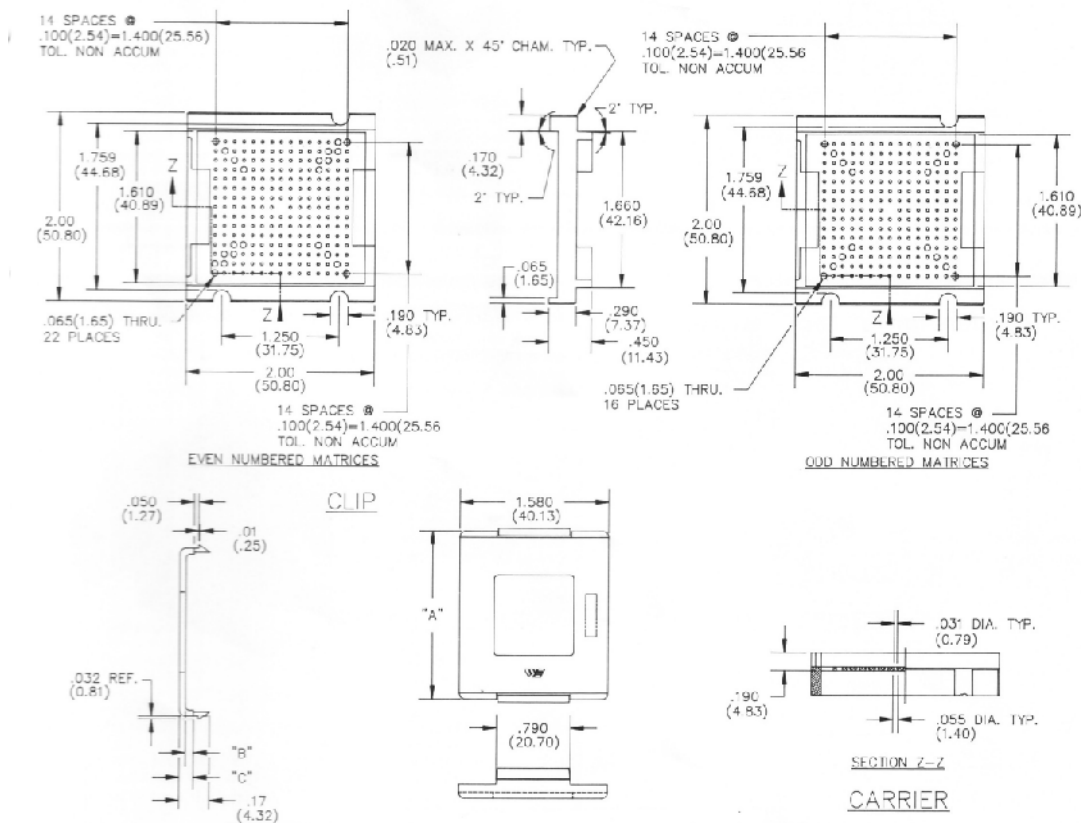
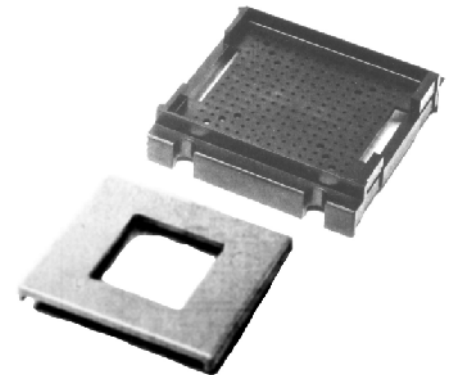




"TWO PIECE" 2" X 2" UNIVERSAL PIN GRID ARRAY CARRIER WITH CLIP

- Accepts wide range of PGA packages from 8 X 8 through 15 X 15
- Carrier can be molded from Electro-Static-Dissipative (ESD) materials
- Designed to be used with automatic test handlers
- For other PGA requirements consult factory
- Molded for high temperature materials for applications up to 150°C
- For additional stand-off configurations consult factory



Part Number	Even/Odd Matrices	Recommended Clip(s)	Pkg. Thickness (mm)			Window Opening	Notes
			A	B	C		
029-709-0XX	Odd	039-215-0XX	1.78 (45.21)	.085 (2.16)	.150 (3.81)	.85 (21.60)	Consult Factory
		039-217-0XX	1.775 (45.09)	.109 (2.77)	.175 (4.45)	.85 (21.60)	
		039-218-0XX	1.775 (45.09)	.153 (3.89)	.220 (5.59)	.85 (21.60)	
029-713-0XX	Even	039-223-0XX	1.78 (45.21)	.085 (2.16)	.150 (3.81)	.65 (16.50)	Consult Factory
029-714-0XX	Even	039-223-0XX	1.78 (45.21)	.085 (2.16)	.150 (3.81)	.65 (16.50)	Consult Factory