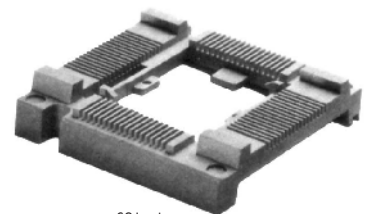


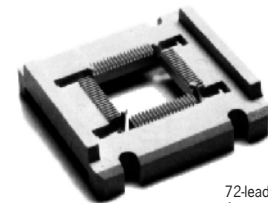


# "ONE PIECE®" FOR QUAD PACKS

Part Number	Lead Count	Lead Spacing	Device Dimensions (mm)		Notes
			Width	Length	
029-305-OXX	44	.050 (1.27)	.600 (15.24)	.600 (15.24)	Consult Factory
029-365-OXX	44	.050 (1.27)	.600 (15.24)	.600 (15.24)	Consult Factory
029-626-OXX	44	.050 (1.27)	.650 (16.51)	.650 (16.51)	
029-393-OXX	48	.040 (1.02)	.640 (16.26)	.640 (16.26)	Consult Factory
029-686-OXX *	48	.050 (1.27)	.750 (19.05)	.750 (19.05)	Consult Factory
029-688-OXX #	48	.050 (1.27)	.750 (19.05)	.750 (19.05)	
029-689-OXX *	48	.050 (1.27)	.750 (19.05)	.750 (19.05)	Consult Factory
029-614-OXX !!	64	.019 (0.50)	.440 (11.18)	.740 (18.80)	
029-680-OXX *#	68	.050 (1.27)	.950 (24.13)	.950 (24.13)	
029-681-OXX *	68	.050 (1.27)	.950 (24.13)	.950 (24.13)	Consult Factory
029-684-OXX	68	.050 (1.27)	.900 (22.86)	.900 (22.86)	
029-685-OXX *	68	.050 (1.27)	.950 (24.13)	.950 (24.13)	Consult Factory
029-687-OXX *#	68	.050 (1.27)	.950 (24.13)	.950 (24.13)	
029-690-OXX *#	68	.050 (1.27)	.950 (24.13)	.950 (24.13)	Consult Factory
029-692-OXX *#	68	.050 (1.27)	.950 (24.13)	.950 (24.13)	
029-371-OXX !	68	.050 (1.27)	.900 (22.86)	.900 (22.86)	Consult Factory
029-312-OXX	68	.025 (0.64)	.560 (14.22)	.560 (14.22)	Consult Factory
029-313-OXX !	68	.050 (1.27)	.950 (24.13)	.950 (24.13)	Consult Factory
029-385-OXX !	68	.050 (1.27)	.950 (24.13)	.950 (24.13)	Consult Factory
029-324-OXX	68	.025 (0.64)	.400 (10.16)	.650 (16.51)	Consult Factory
029-344-OXX #	68	.025 (0.64)	.500 (12.70)	.500 (12.70)	
029-338-OXX	72	.040 (1.02)	.800 (20.32)	.800 (20.32)	Consult Factory
029-625-OXX	72	.040 (1.02)	.800 (20.32)	.800 (20.32)	Consult Factory
029-369-OXX !	84	.050 (1.27)	1.090 (27.69)	1.090 (27.69)	Consult Factory
029-358-OXX	84	.050 (1.27)	1.100 (27.94)	1.100 (27.94)	Consult Factory
029-375-OXX #	84	.025 (0.64)	.660 (16.76)	.660 (16.76)	
029-314-OXX #	84	.025 (0.64)	.700 (17.78)	.700 (17.78)	Consult Factory
029-317-OXX #	84	.025 (0.64)	.650 (16.51)	.650 (16.51)	
029-342-OXX !!	84	.025 (0.64)	.650 (16.51)	.650 (16.51)	
029-309-OXX !	100	.0256 (0.65)	.787 (20.00)	.551 (14.00)	
029-392-OXX !	100	.025 (0.64)	.680 (17.27)	.680 (17.27)	Consult Factory
029-629-OXX	100	.025 (0.64)	.760 (19.30)	.760 (19.30)	Consult Factory
029-390-OXX	124	.025 (0.64)	.950 (24.13)	.950 (24.13)	Consult Factory
029-359-OXX	132	.025 (0.64)	.900 (22.86)	.900 (22.86)	
029-634-OXX #	132	.025 (0.64)	.950 (24.13)	.950 (24.13)	
029-636-OXX	132	.025 (0.64)	.950 (24.13)	.950 (24.13)	
029-321-OXX	160	.0256 (0.65)	1.060 (26.92)	1.060 (26.92)	
029-347-OXX !	160	.0256 (0.65)	1.102 (28.00)	1.102 (28.00)	
029-349-OXX !	160	.0256 (0.65)	1.102 (28.00)	1.102 (28.00)	Consult Factory
029-304-OXX !	164	.025 (0.64)	1.060 (26.92)	1.060 (26.92)	Consult Factory
029-608-OXX !	208	.0196 (0.50)	1.102 (28.00)	1.102 (28.00)	Consult Factory

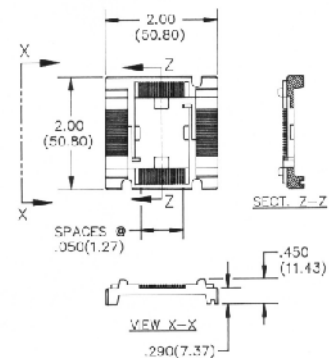


68-lead  
2-corner retention

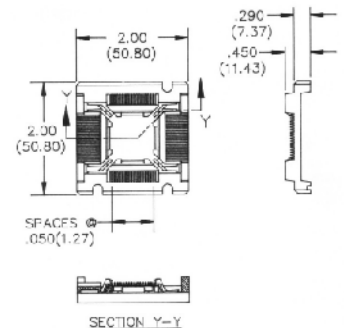


72-lead  
4-corner retention

Drawing of 68-lead carrier with 2-corner retention feature.



Drawing of 68-lead carrier with 4-corner retention features.



Part Nos. 029-347-OXX and 029-681-OXX for molded packages;  
Part Nos. 029-349-OXX and 029-680-OXX for ceramic packages

\* 2-corner retention # Top brazed lead ! Formed leads !! Leads with tie bars