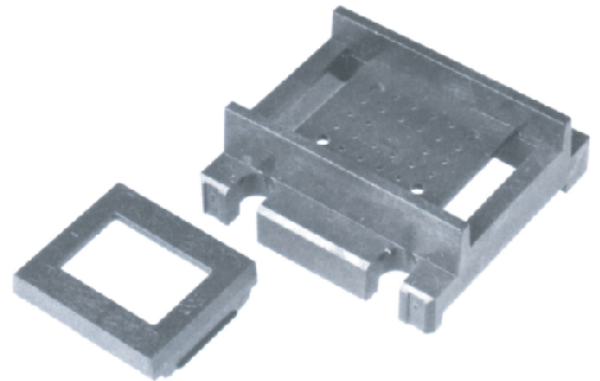
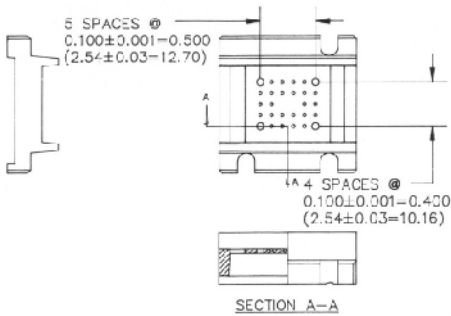


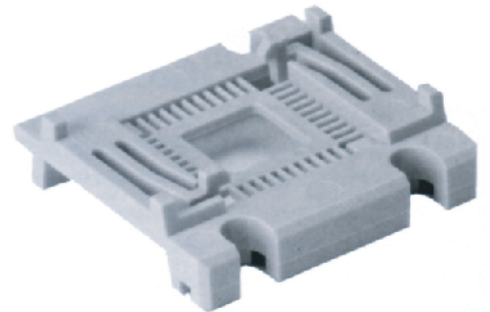
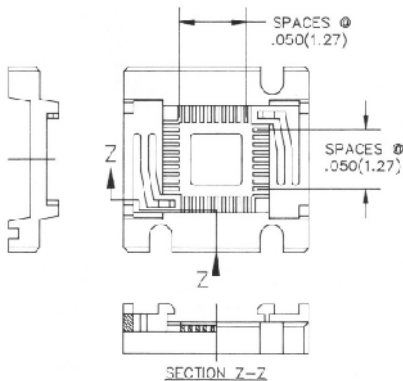


# 1 1/4" X 1 1/4" PIN GRID ARRAY CARRIER WITH CLIP



Part Number	Recommended Clip
029-711-0XX	039-220-0XX

## CARRIERS FOR "J" LEAD DEVICES



Part Number	Carrier Size	Lead Count	Lead Spacing	Device Dimensions (mm)		Notes
				Width	Length	
029-376-0XX	2.00	68	.050 (1.27)	.995 (25.27)	.995 (25.27)	Consult Factory
029-377-0XX	1.25	44	.050 (1.27)	.695 (17.65)	.695 (17.65)	Consult Factory
029-381-0XX*	1.25	44	.050 (1.27)	.695 (17.65)	.695 (17.65)	Consult Factory

\* Contactor Available